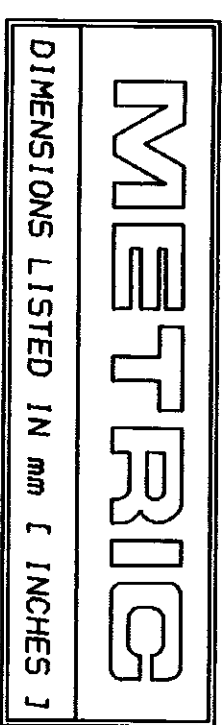


THIS DRAWING IS UNPUBLISHED. RELEASED FOR PUBLICATION BY AMP INCORPORATED. ALL INTERNATIONAL RIGHTS RESERVED. 19

AMP PART NO	MATERIAL	PKG TYPE	QTY
8-36958-3	M/F 8-36958-0	BOX	25
8-36958-5	M/F 8-36958-0	BAG	5

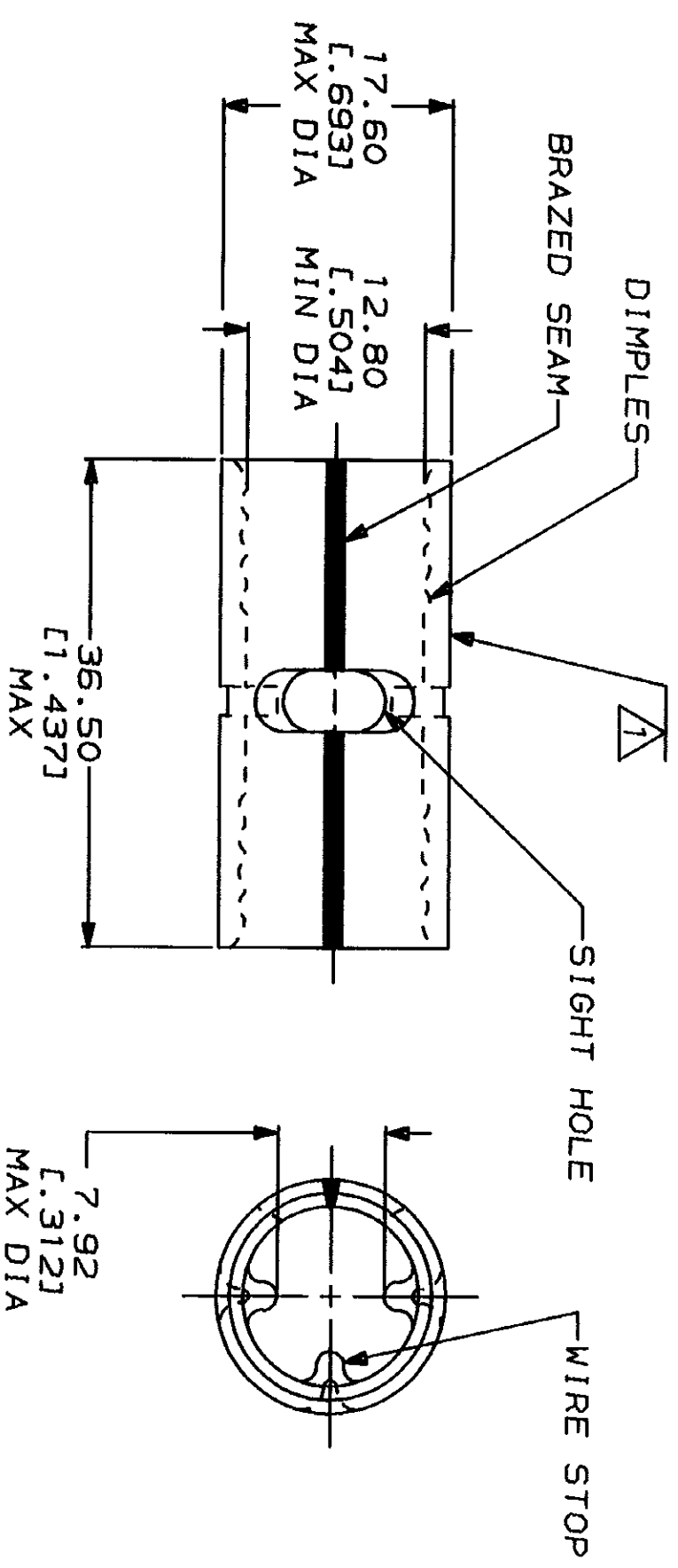
LOC	DIST	P	F	ZONE	LTR	DESCRIPTION	DATE	APPD
6	14				C	REVISED & REDRAWN PER 0720-0037-93	5/24/99	5 PER



AMP WIRE RANGE	UL E13288 Listed
2/0 AWG SOLID OR STRANDED	2/0 AWG SOLID OR STRANDED

LR7189 Certified	MILITARY P/N AND CLASS
2/0 AWG SOLID OR STRANDED	NOT APPLICABLE

1 STAMP AMP 2/0W* APPROX AS SHOWN
2 MATERIAL THK: 2.03±0.08 [0.080 ±.003]



AMP INCORPORATED
CUSTOMER SERVICE SYSTEMS

FOR ADDITIONAL PRODUCT INFORMATION OR COPIES OF DRAWINGS AND TECHNICAL DOCUMENTS
FOR APPLICATION
TOOLING INFORMATION
FOR ORDER ENTRY

MAX RECOMMENDED OPERATING TEMPERATURE: 170°C MAX
VOLTAGE RATING: NOT APPLICABLE
CIRCULAR MIL AREA: 60.6-76.3mm² [119,500-150,500] CIR MILS
SOLID OR STRANDED

DO NOT SCALE PRINT.
DIMENSIONS ON THIS DRAWING ARE IN MILLIMETERS.
TOLERANCES ON DIMENSIONS:
2 PLG DEC ± 0.20 (0.008)
3 PLG DEC ± . . .
ANGLES
MATERIAL: COPPER PER ASTM B-152 ANNEALED
FINISH: TIN PLATE
0.00254 (0.000100) MIN THK PER MIL-T-10727

DR	S/R/SS	OR	5/24/99
CHK	1/27/94	DK	SOB/SH
APPD	1/27/94	RD	HEIH
APPD	1/27/94	RE	ROSER
APPD	1/27/94	JL	MEWLEY

AMP
AMP Incorporated
Harrisburg, PA 17105-3608
SPLICE, BUTT,
SOLISTRAND™
CASE CODE: 00779
DRAWING NO: G-36958
SCALE: 2:1
SHEET: 1 OF 1